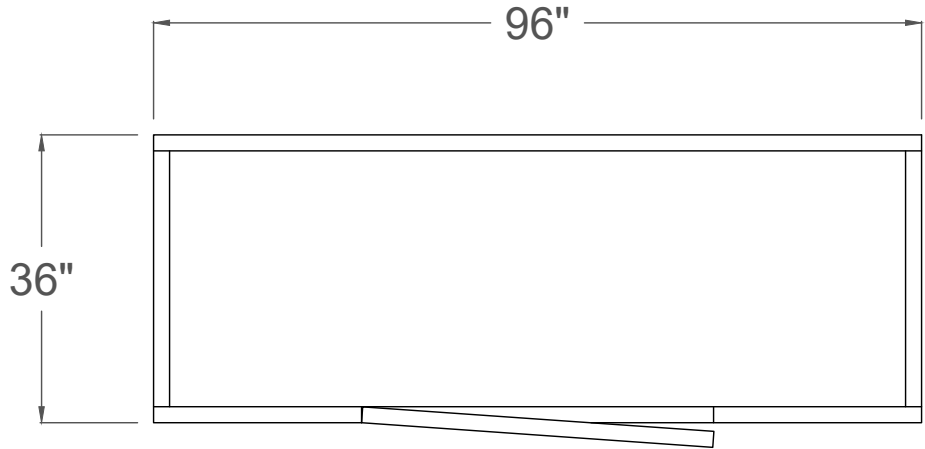
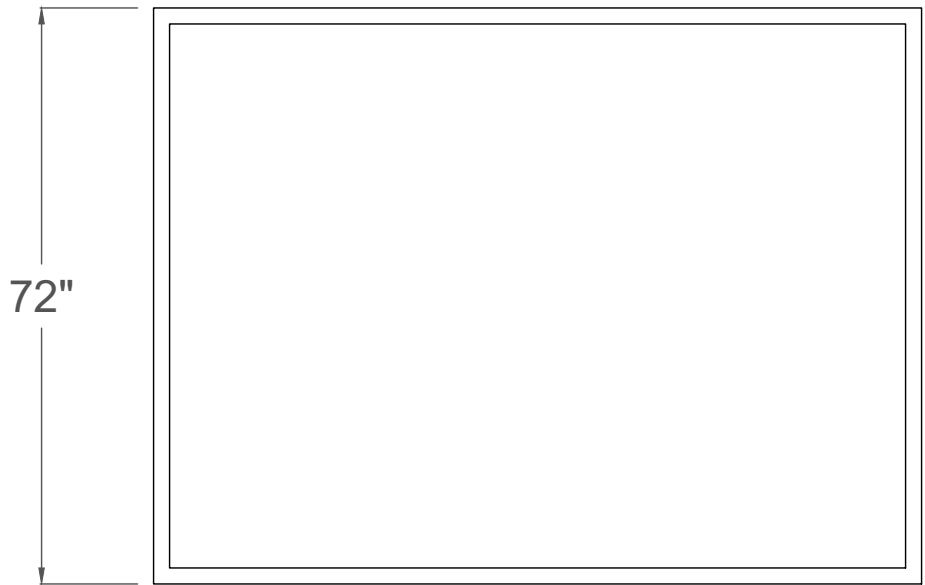


DRAWING SCHEDULE 4" SIDE

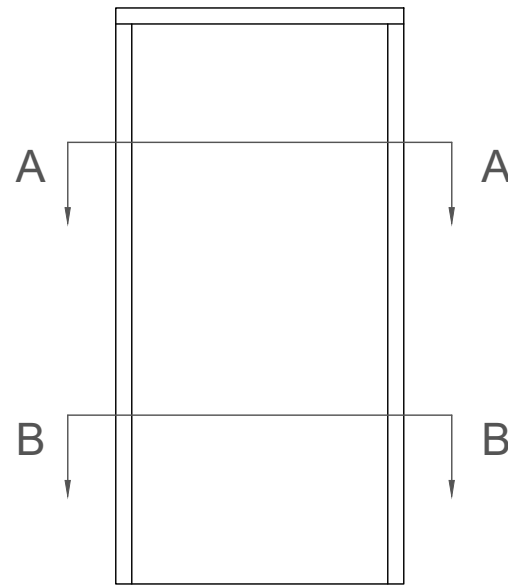
PDF LABEL	DRAWING NUMBER	DRAWING NAME
A4S1	1 of 9	ENCLOSURE LAYOUT
A4S2	2 of 9	ENCLOSURE LAYOUT SECTION A-A
A4S3	3 of 9	ENCLOSURE LAYOUT SECTION B-B
A4S4	4 of 9	COMPONENT LAYOUT
A4S5	5 of 9	ELECTRICAL COMPONENTS
A4S6	6 of 9	PLUMBING COMPONENTS
A4S7	7 of 9	PLUMBING / ELECTRICAL
A4S8	8 of 9	SLAB LAYOUT DETAIL
A4S9	9 of 9	SAMPLE SITE DRAWING
A4S		DRAWING SCHEDULE



TOP



FRONT



SIDE

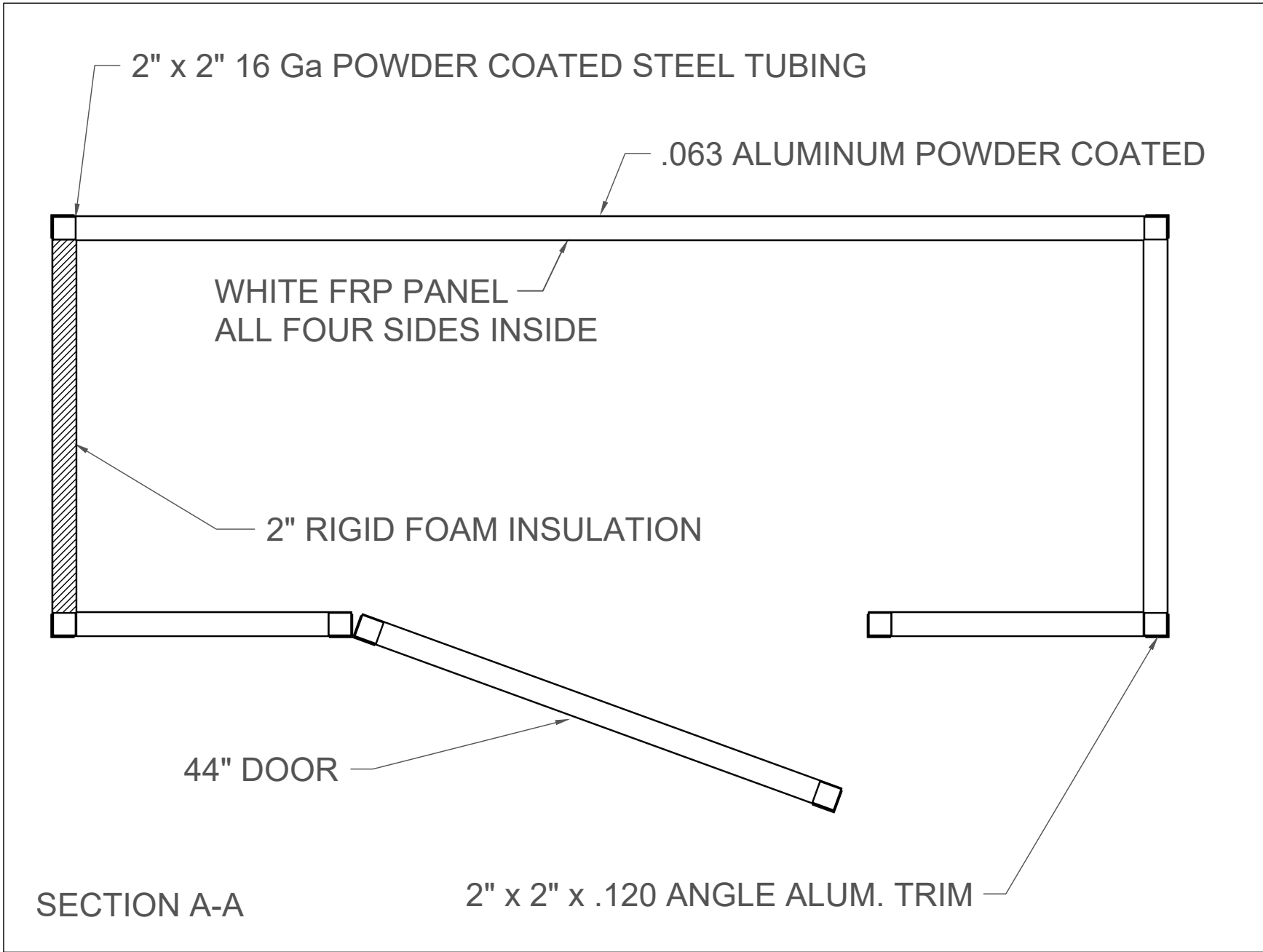
AQUA FLOW INT'L. INC.
 P.O. BOX 2841
 FLAGSTAFF, AZ. 86003
 (928) 380-6164



4" SIDE LOADING STATION

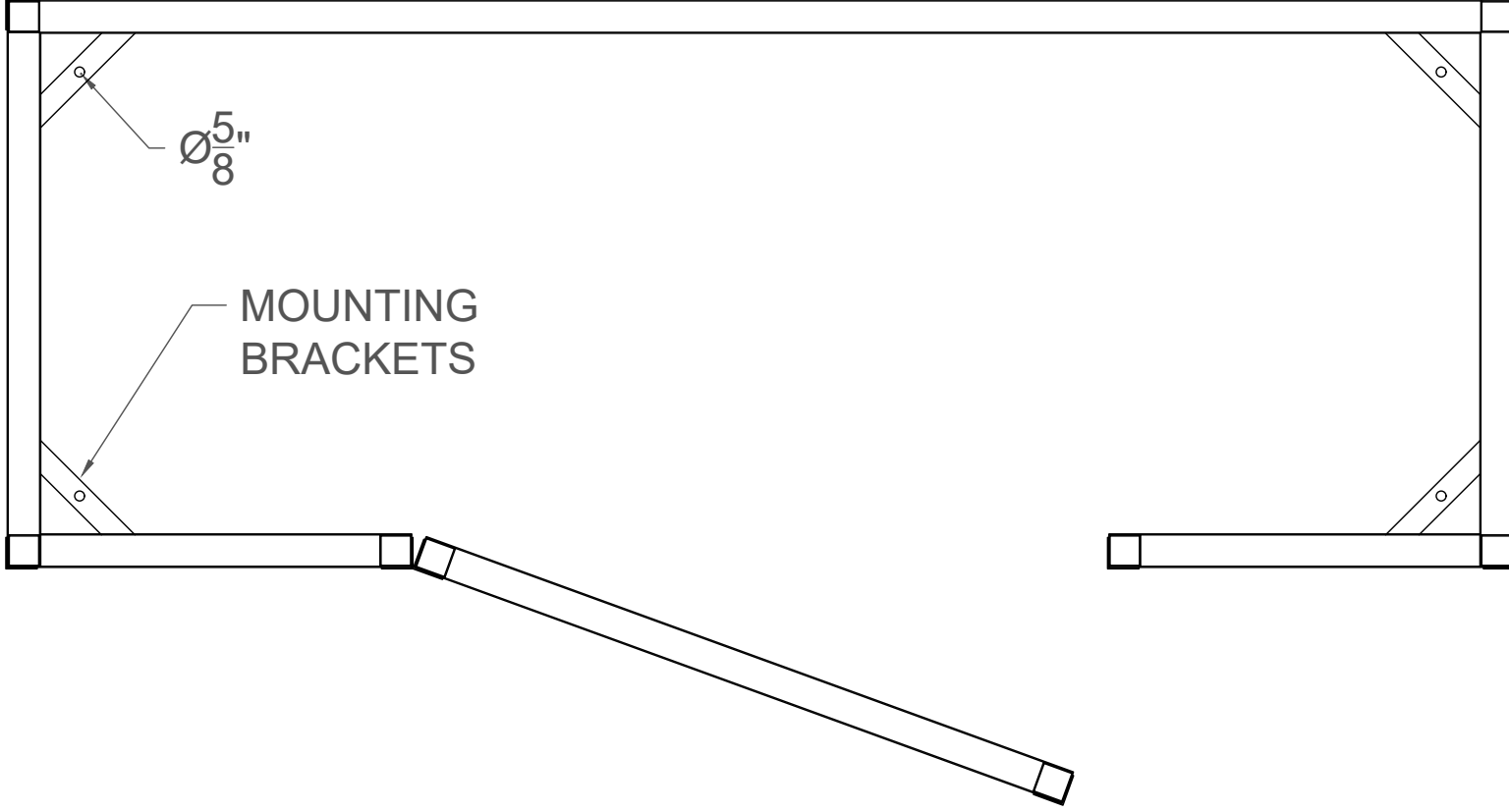
ENCLOSURE LAYOUT

SCALE: 1/2" = 1'-0"



AQUA FLOW INT'L. INC. P.O. BOX 2841 FLAGSTAFF, AZ. 86003 (928) 380-6164		
		
4" SIDE LOADING STATION	ENCLOSURE LAYOUT SECTION A-A	SCALE: 1" = 1'-0"
2	OF	9

SECTION B-B



4" SIDE LOADING STATION

ENCLOSURE LAYOUT
SECTION B-B

SCALE: 1" = 1'-0"

3

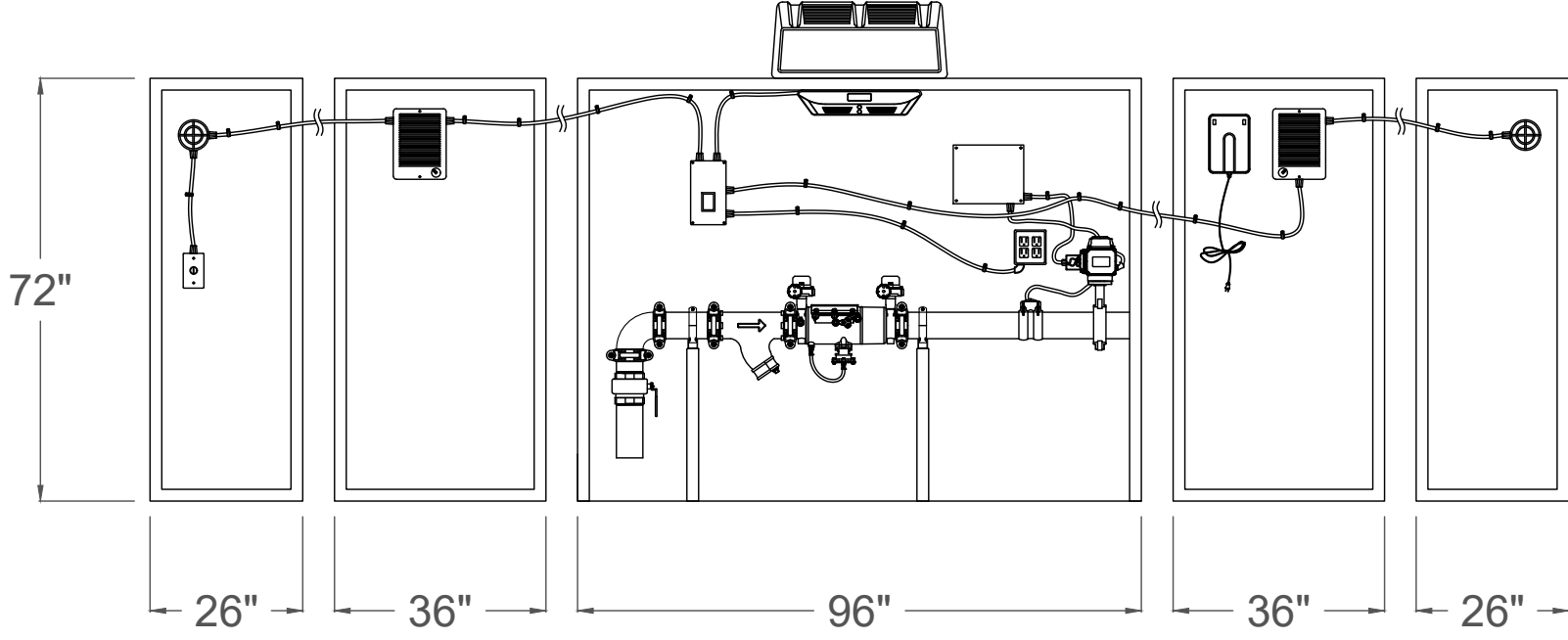
OF

9



AQUA FLOW INT'L. INC.

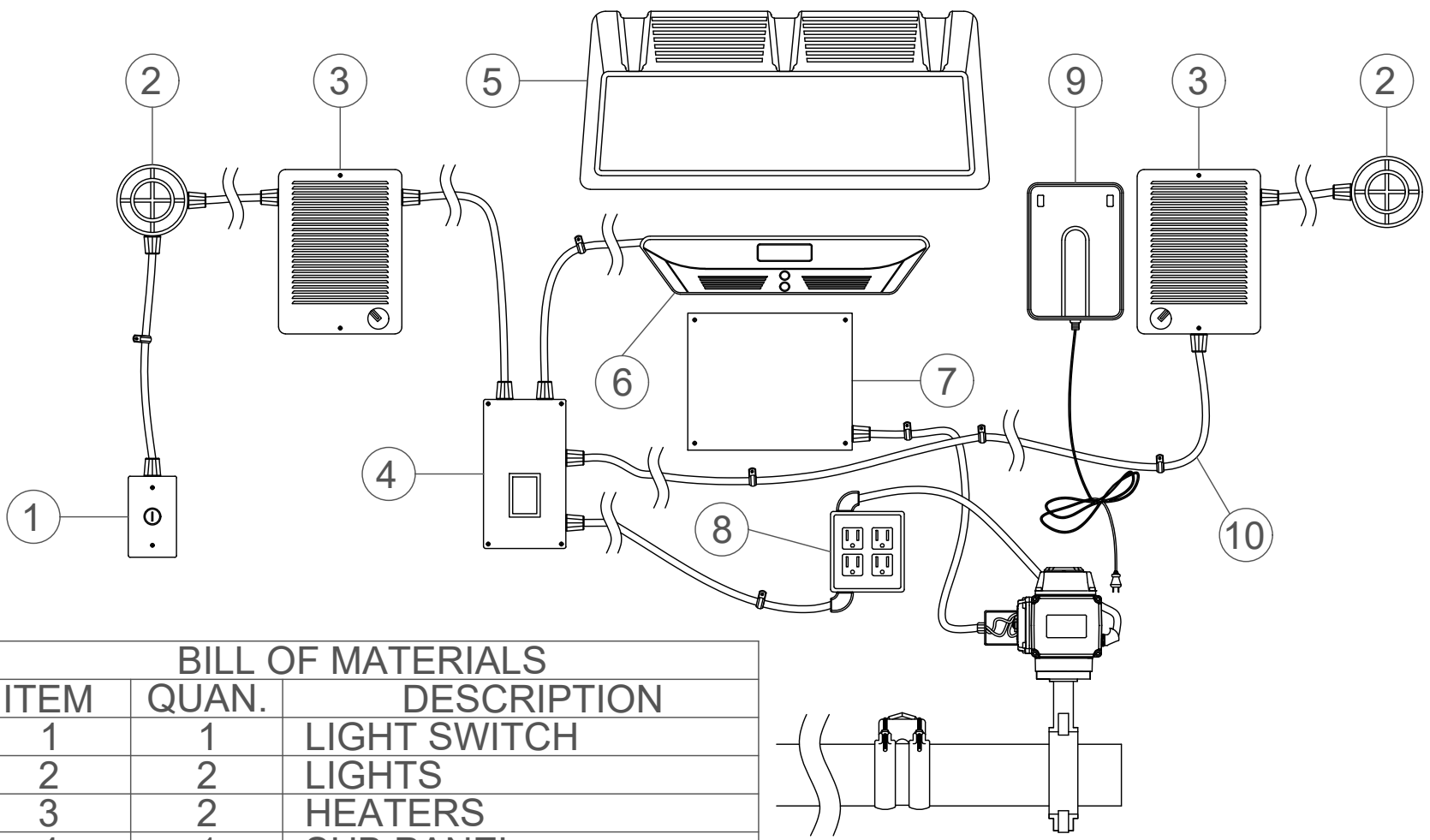
P.O. BOX 2841
FLAGSTAFF, AZ. 86003
(928) 380-6164



AQUA FLOW INT'L. INC.
P.O. BOX 2841
FLAGSTAFF, AZ. 86003
(928) 380-6164



4	4	9
---	---	---



BILL OF MATERIALS

ITEM	QUAN.	DESCRIPTION
1	1	LIGHT SWITCH
2	2	LIGHTS
3	2	HEATERS
4	1	SUB PANEL
5	1	AIR CONDITIONER
6	1	DIFUSOR
7	1	CUSTOMER INTERFACE
8	1	RECEPTICLE
9	1	UPS
10		1/2" LFMS

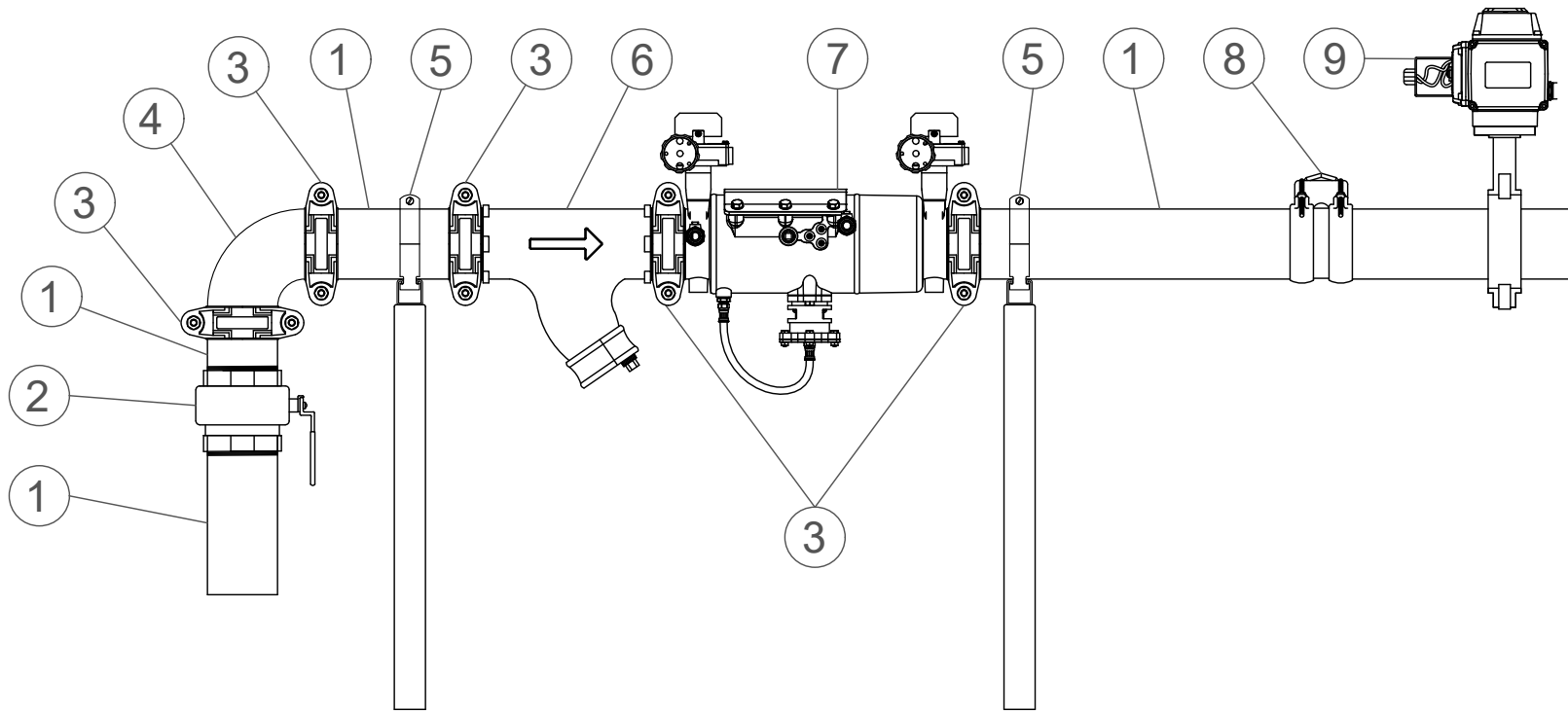
AQUA FLOW INT'L. INC.
P.O. BOX 2841
FLAGSTAFF, AZ. 86003
(928) 380-6164



4" SIDE LOADING STATION

ELECTRICAL COMPONENTS

SCALE: 1" = 1'-0"

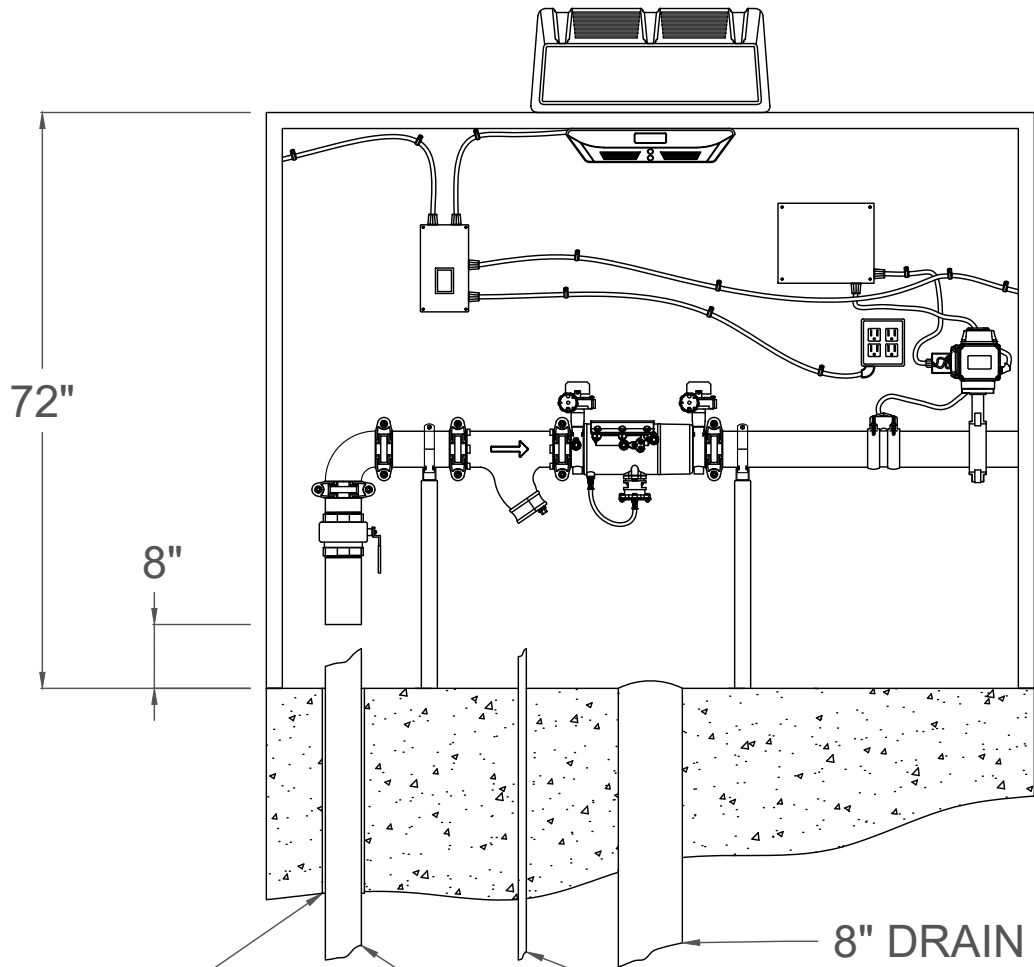


AQUA FLOW INT'L. INC.
 P.O. BOX 2841
 FLAGSTAFF, AZ. 86003
 (928) 380-6164



BILL OF MATERIALS		
ITEM	QUAN.	DESCRIPTION
1	4	4" PIPE
2	1	GATE VALVE
3	5	CLAMP
4	1	ELBOW
5	2	UNISTRUT CLAMP
6	1	STRAINER
7	1	BACK FLOW
8	1	FLOW SENSOR
9	1	BUTTERFLY VALVE

4" SIDE LOADING STATION		
	PLUMBING COMPONENTS	
		SCALE: 1" = 1'-0"
6	OF	9



5" SLEEVE THROUGH CONCRETE

4" WATER SUPPLY
1" ELECTRICAL

8" DRAIN

SLAB / FOOTINGS PER LOCAL CODE

PLEASE SEE SLAB DETAILS FOR PLACEMENT OF SUPPLY AND DRAIN.

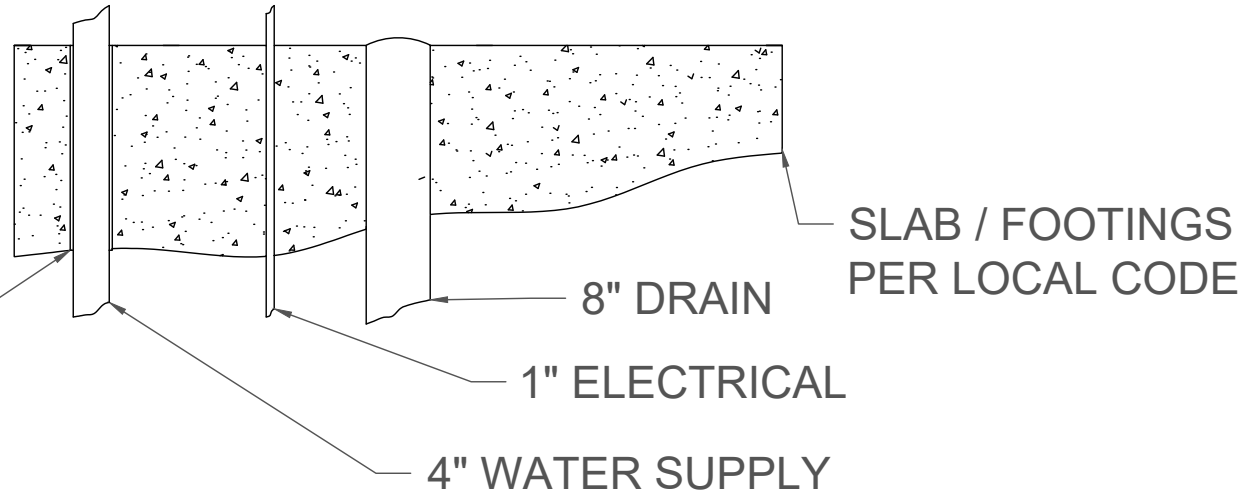
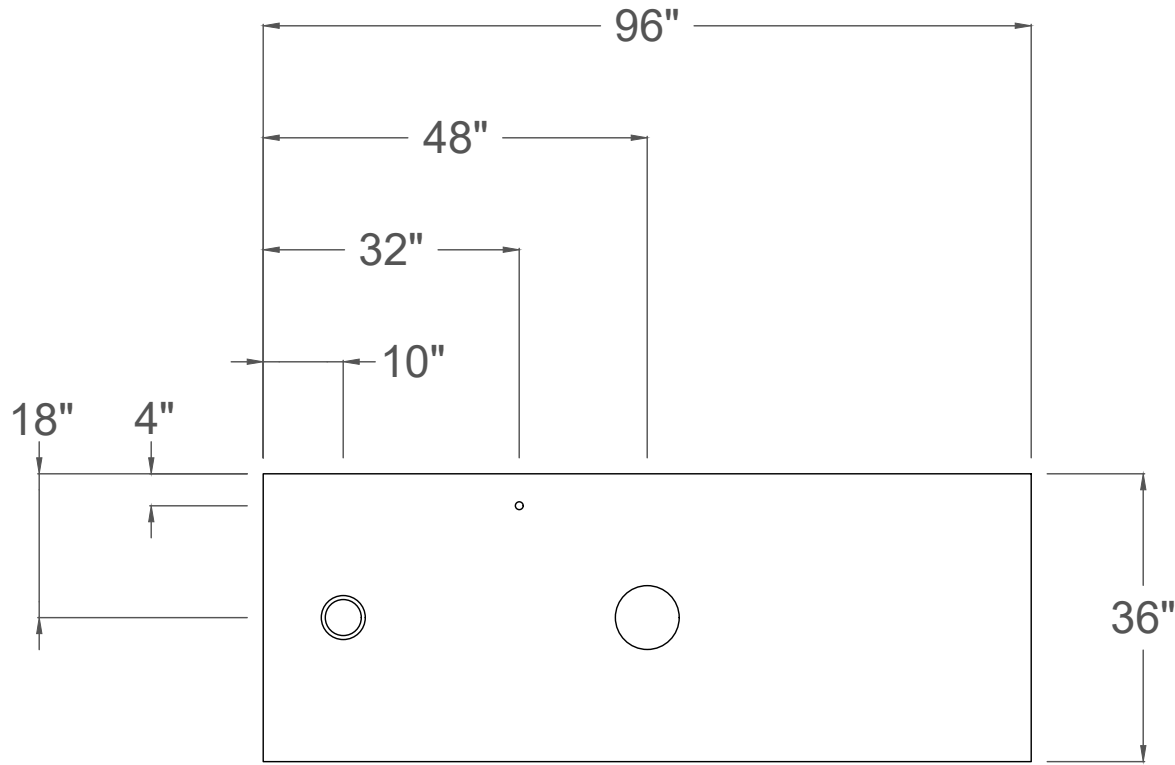
AQUA FLOW INT'L. INC.
P.O. BOX 2841
FLAGSTAFF, AZ. 86003
(928) 380-6164



4" SIDE LOADING STATION

ENCLOSURE LAYOUT
PLUMBING / ELECTRICAL

SCALE: 1/2" = 1'-0"



AQUA FLOW INT'L. INC.
 P.O. BOX 2841
 FLAGSTAFF, AZ. 86003
 (928) 380-6164



4" SIDE LOADING STATION

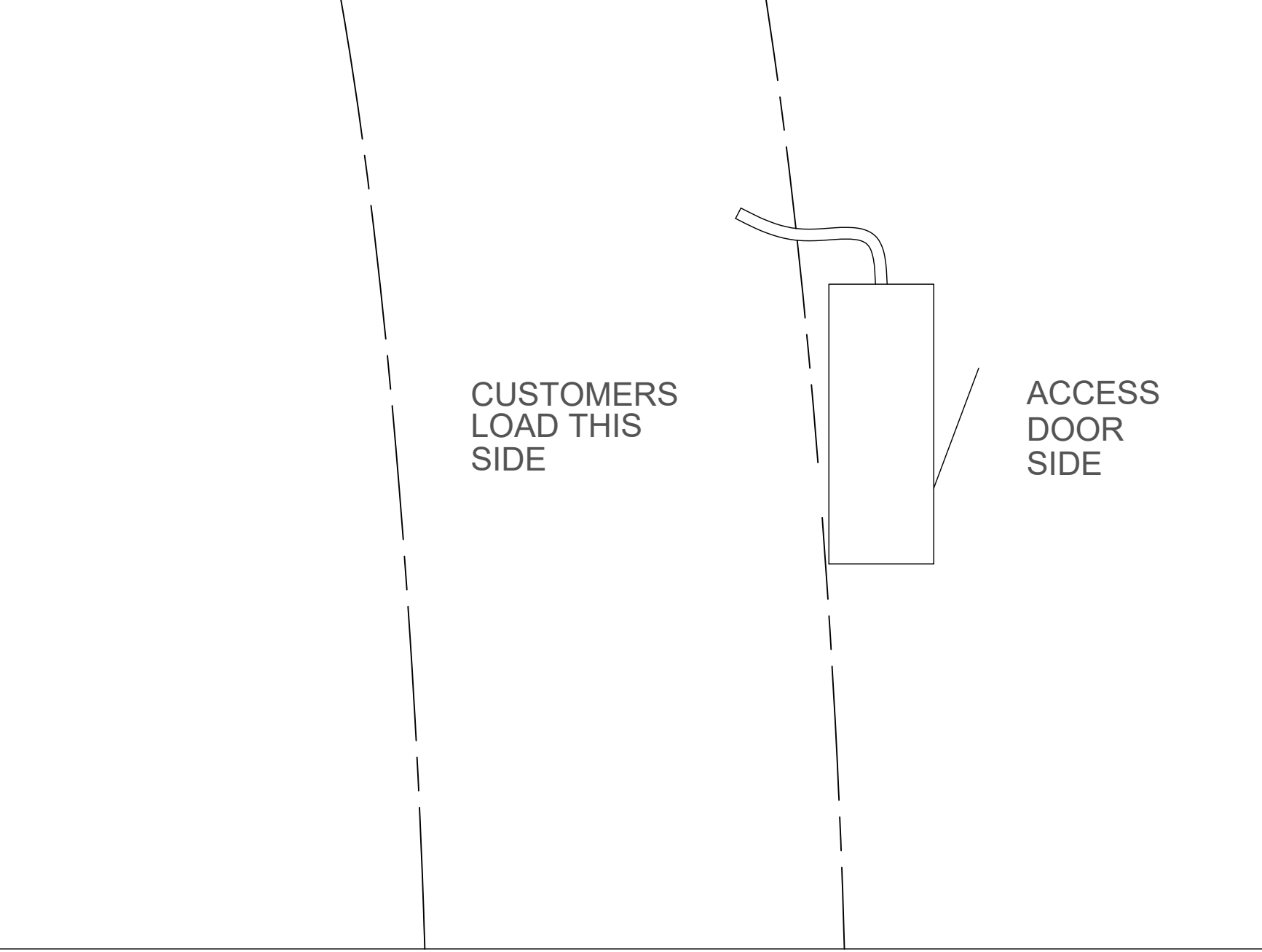
SLAB LAYOUT DETAIL

SCALE: 1/2" = 1'-0"

8

OF

9



9	4" SIDE LOADING STATION		AQUA FLOW INT'L. INC. P.O. BOX 2841 FLAGSTAFF, AZ. 86003 (928) 380-6164
9	SAMPLE SITE DRAWING		
9	SCALE: 1/4" = 1'-0"		